

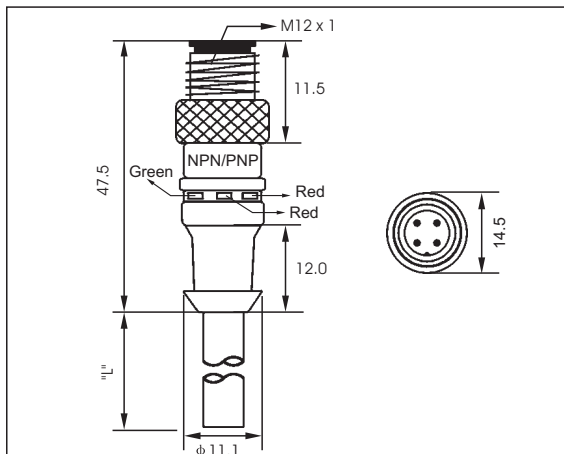
# EURO-STYLE QUICK DISCONNECT CABLES

## View



- Male Euro-style
- With built-in LEDs
- Screw locking with (auto) securing Safety nut
- With moulded Cable

## Dimensional data



## Technical Data

Application Class: HNA acc. to DIN 40040  
(-25 °C / +90 °C / ≤ 100%rF)

Moulded Body: TPU, self-extinguishing

Nominal Power: 4A(CSA=3A)

Nominal Voltage: 10-30VDC

Contact: CuZn, brass, pre-nickeled and 0.3 microns gold-plated

O-Ring: Viton

Body: TPU, self-extinguishing

Securing Safety Nut: Nickel plated brass


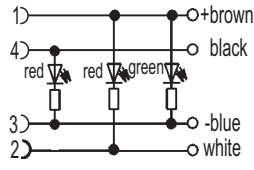
Protection: IP 68

Insulation Group: C acc. to VDE 0110

Contact Resistance: ≤ 5m Ω

Insulation Resistance: > 10<sup>9</sup> Ω

## Catalog Number

Part-No	Poles	Face View Male	Color Code	Conductors		Outer Jacket		Circuit LED-indicator
				Guage	Stranding	φ (mm)	Material	
R-MS4TN/PV992	4		1=brown 2=white 3=blue 4=black	0.80mm <sup>2</sup>	16 x φ 0.25	6.2	PVC	<p>npn/pnp-normally closed/open =2red-green</p> 

Standard length: 2.0 m, 3.0 m, 4.0 m, 5.0 m. Other cable length or cable specifications on request.